

Motor type

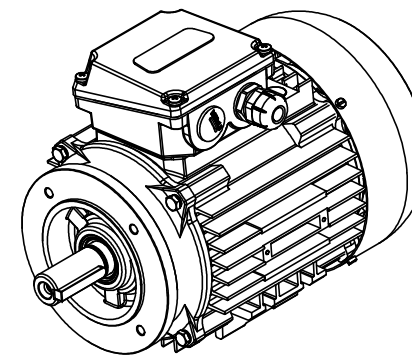
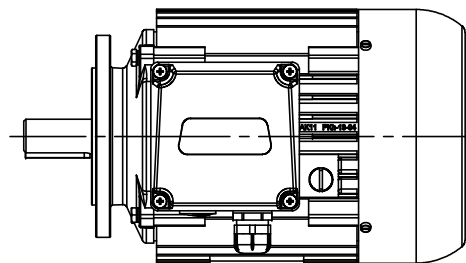
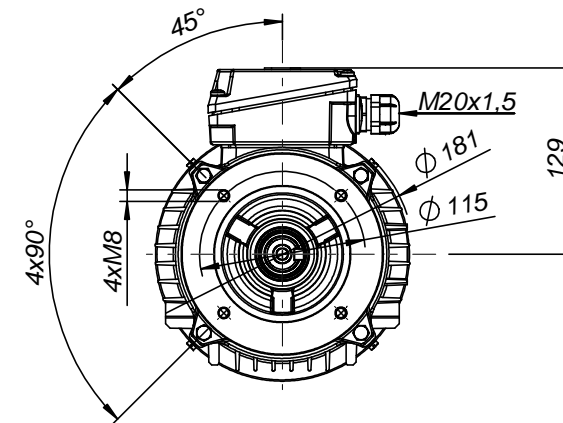
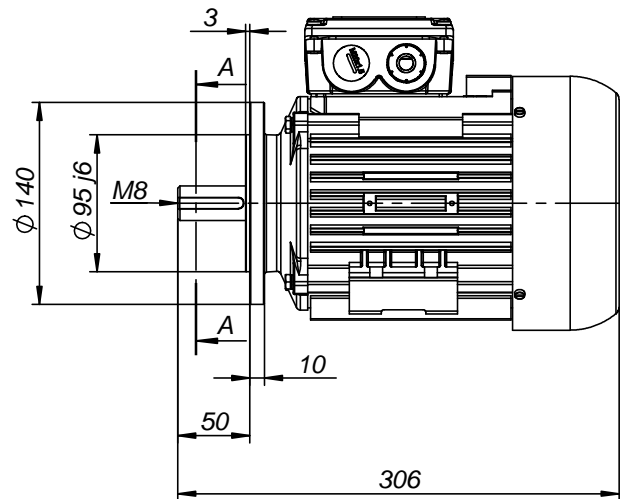
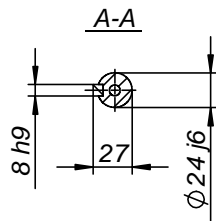
Sh 90S-B3

Drawing no.

S-003-01-2008

Scale

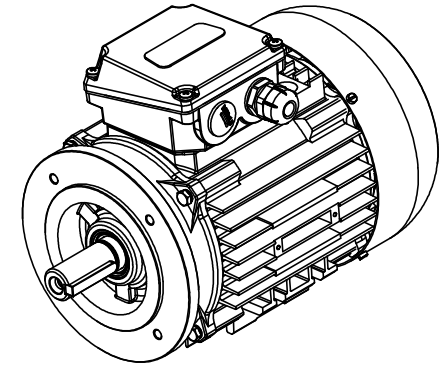
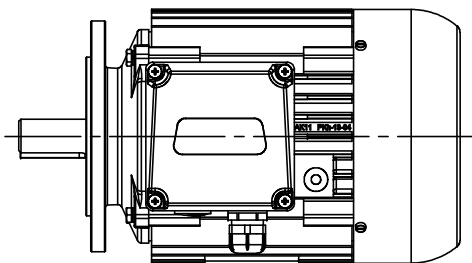
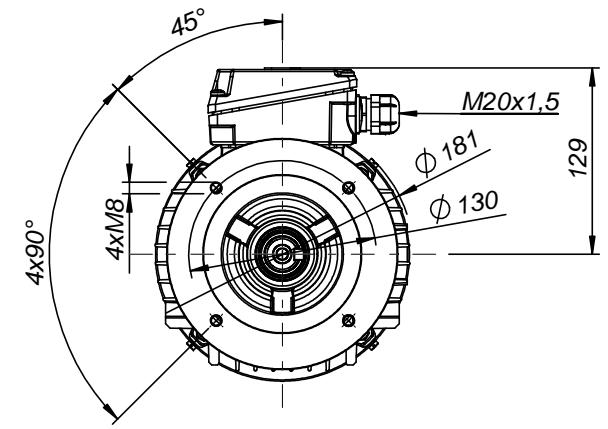
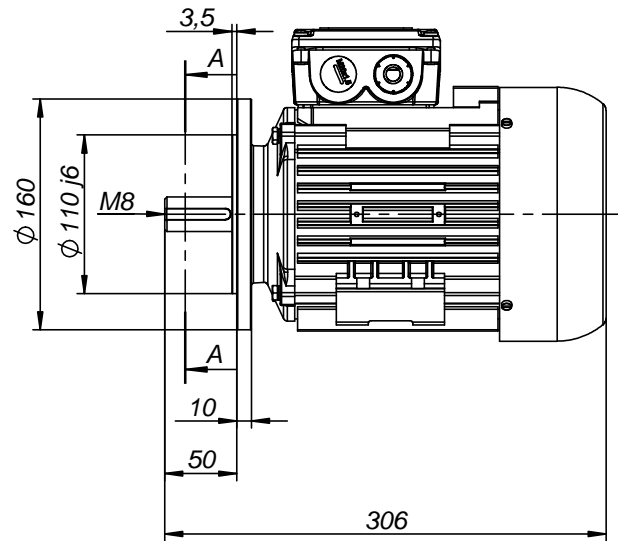
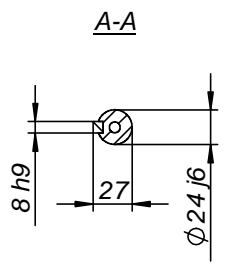
1:5



Motor type **SKh 90S-B14-C2**

Drawing no. **S-052-01-2008**

Scale **1:5**



Motor type

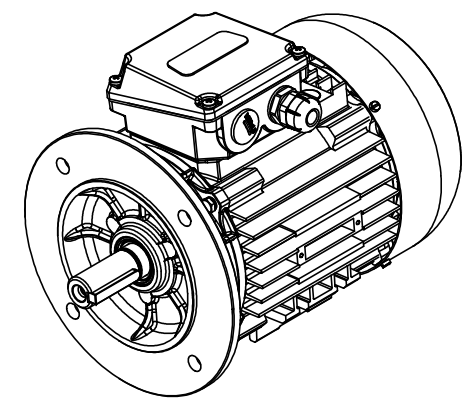
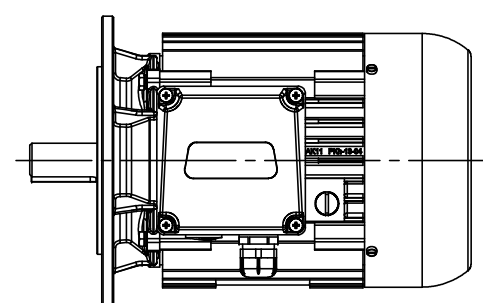
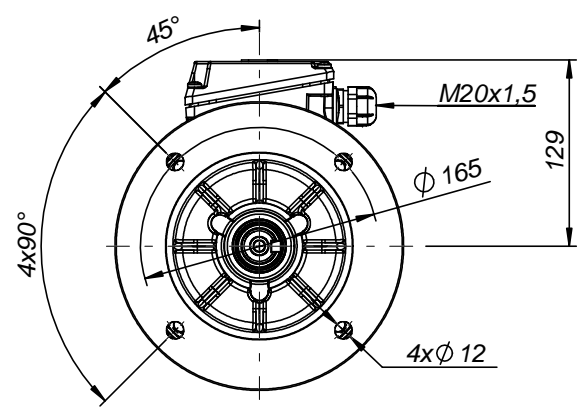
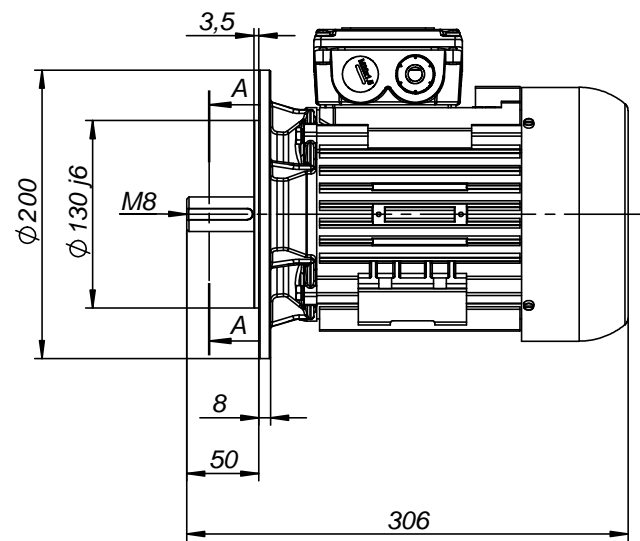
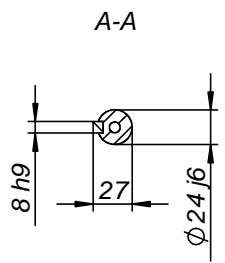
SKh 90S-B14-C1

Drawing no.

S-043-01-2008

Scale

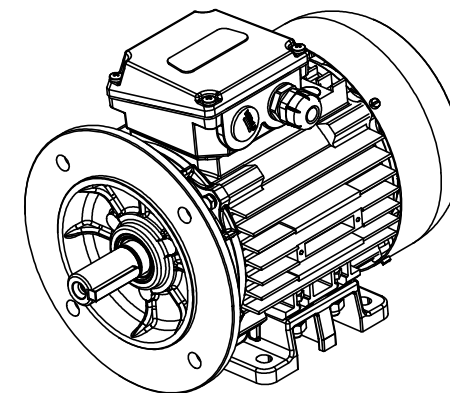
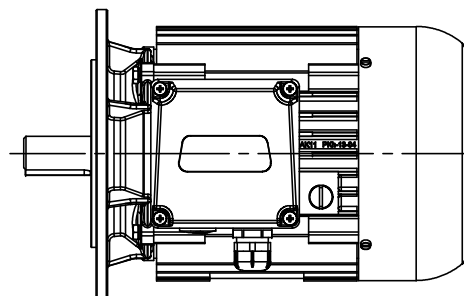
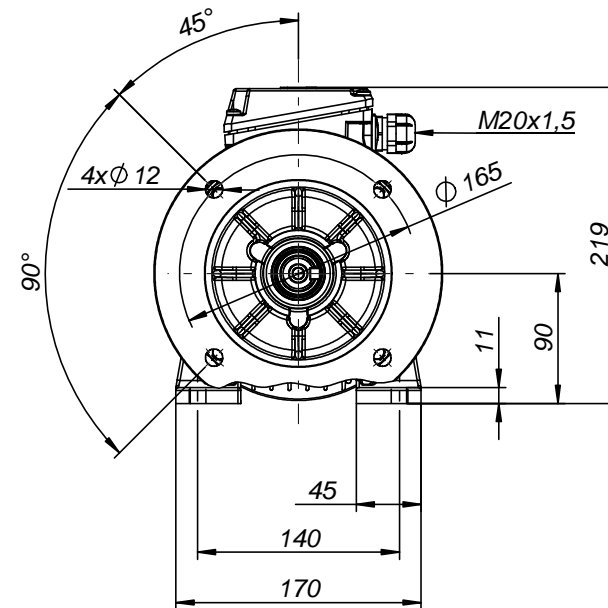
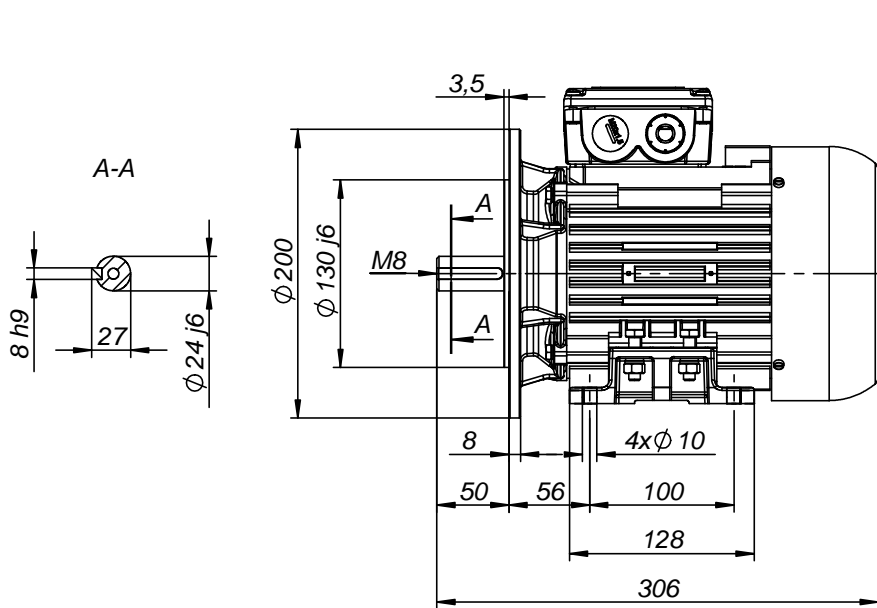
1:5



Motor type
SKh 90S-B5

Drawing no.
S-017-01-2008

Scale
1:5



Motor type

SLh 90S-B35

Drawing no.

S-031-01-2008

Scale

1:5